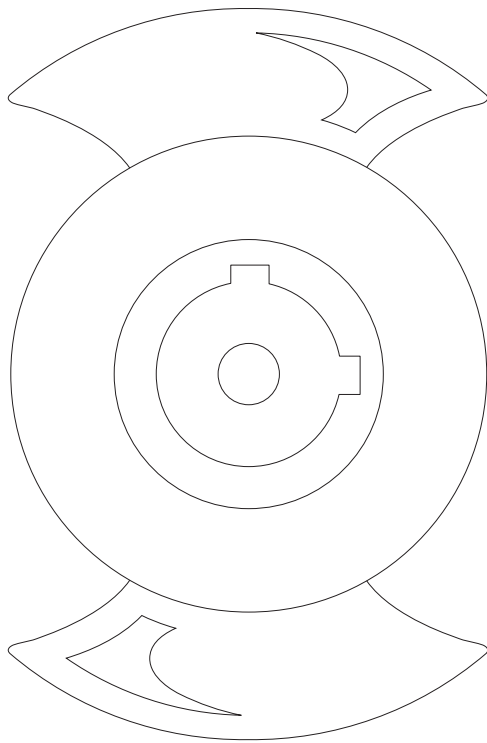


JEC - Always a Step Ahead

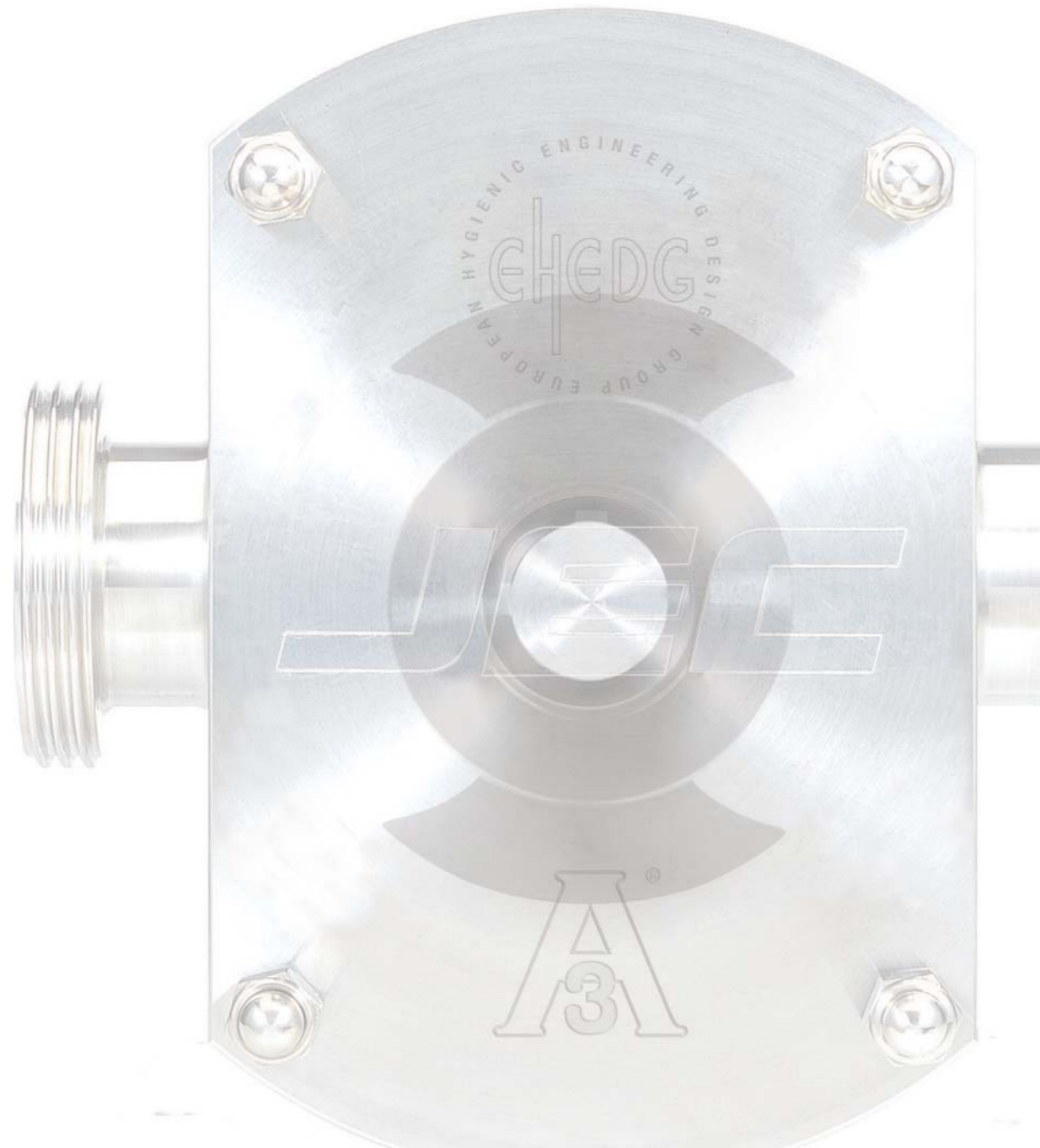
JRZP SERIES CIRCUMFERENTIAL PISTON PUMPS



JEC
P U M P S

3IP

High Pride
Higher Performance
The Highest Quality



JEC Ltd. specializes in the field of sanitary pumps.

JEC was established in 1990 and started producing sanitary pumps utilizing precision cast and pressed parts for the first time in Korea. Since then JEC has been successfully supplying to the process industries centrifugal, rotary and self-priming pumps, as well as blenders. JEC pumps are now renowned for reliability both for general duties and special applications. JEC's success is built upon high quality manufacture and customer satisfaction. Our policy is one of long term vendor partnerships.

Good relations with our customers are prerequisite to our growth.

JEC considers exchanging ideas their customers of the highest importance.

It is our belief JEC fully supports to meet customers' expectations and contributes towards their prosperity.

We are always striving to make every effort to start new initiatives.

The JEC philosophy is one of continuous improvement and keeping promises.



Our pride is created by high quality!

Every feature on the JRZP range has been specifically designed to make dismantling (whether for inspection, cleaning, or maintenance) quicker, easier, and cheaper. What's more, the forward-seal position places the seals in direct contact with CIP fluids.

Superior seal cleanliness lengthens seal life and minimizes seal flaking (product contamination). And because the seals are located directly behind the rotors, areas of product entrapment are eliminated for superior hygienic performance.

In fact, the JRZP has the 3-A, EHEDG (European Hygienic Engineering and Design Group) certificate.



JRZP series Circumferential Piston Pumps

JEC - Always a Step Ahead

- The revolutionary, EHEDG (European Hygienic Engineering and Design Group) and 3-A certified. It is the most reliable CP pumps in the world for CIP capability.
- Unique Front-Loading product seal positioning gives faster maintenance, easier cleaning, and less downtime. By removing only the front cover, both rotor and product seal can be fully accessed from the front of the pump without disconnecting the process line. The world first Front Loading Seal for CP pumps became in JEC by JRZP series.
- Alternatively, a simple O-ring or PTFE Triple Lip-seal can be supplied offering easy to change with low service cost. All seal options listed fit into the same rotor case giving cost-effective changeability, even after the pump has been installed.
- Many applications require the pump head to be heated or cooled to assist in pumping the product, this is simple with the JEC JRZP seires pump which can be with rotor case thermal jackets or front cover thermal jacket as required.
- To handle abrasive products, pump product internals can also be hardened.
- A high grade 0.6 μ mRa surface finish of the 316L stainless steel pump head components is provided as standard. The 0.4 μ mRa Surface finish can be provided optionally.

STANDARD DESIGN

- JEC JRZP series pumps are have four kinds of gear boxes with six kinds of rotor housings and will have lobe rotor.
- JEC JRZP series pumps are normally fitted with horizontal ports but simply are fitted with vertical ports.
- A single seal can be easily modified to a double type with a minimum of additional parts required due to its unique modular design.
- Complete connections according to optional standard Clamp, IDF male, DIN, BS, SMS male and Flange.

APPLICATION

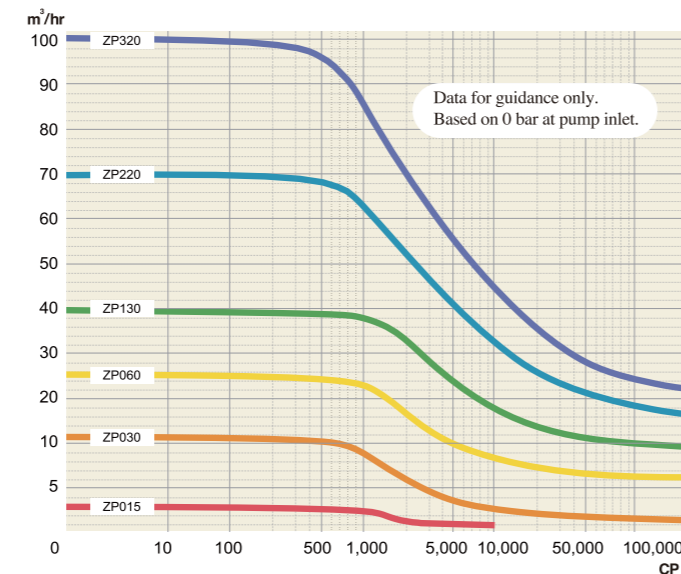
- JEC JRZP series pumps have been designed to suit all hygienic pumping applications found in the food, dairy, beverage, pharmaceutical and other place where stainless steel is resistant to the liquids to be pumped.
- Both thin and viscous liquids up to 1,000,000 centipoise can be handled with a self-priming capability up to 4m, capacity range up to 100m³/hr and head up to 170m.

SPECIFICATIONS

Model No.	Displacement			Standard Connection Size		Max. Differential Pressure		Max. Speed
	Liters/rev	Int Gal/100rev	US Gal/100rev	mm	Inches	BAR	PSI	Rev/min
ZP015-0063-15	0.063	1.38	1.66	38	1.5	15	217	800
ZP030-026-10	0.26	5.71	6.86	50	2	10	145	700
ZP060-074-15	0.74	16.27	19.54	63	2.5	15	217	600
ZP130-118-08	1.18	25.95	31.17	76	3	8	116	600
ZP220-204-12	2.04	44.87	53.89	100	4	12	174	500
ZP320-307-08	3.07	67.5	81.1	150	6	8	116	500

- The designed Bi-wing rotor geometry is maintained throughout the JRZP range of pumps giving high performance and key benefit of CP pumps.

PERFORMANCE CURVE

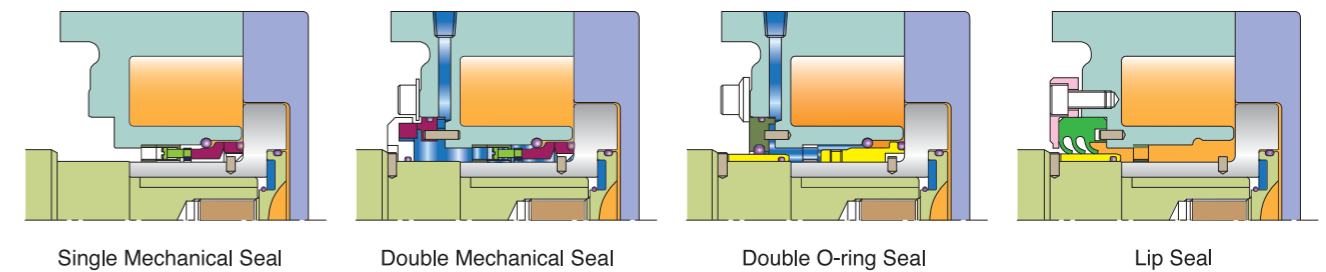


*“The higher the precision
the longer the span of product life”*



The world first Front Loading Seal System

SEAL OPTIONS

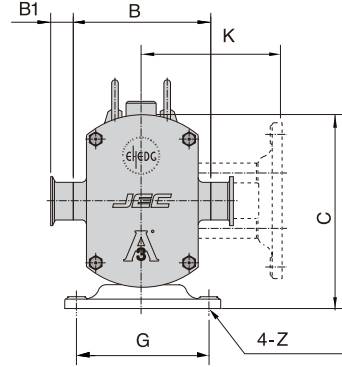
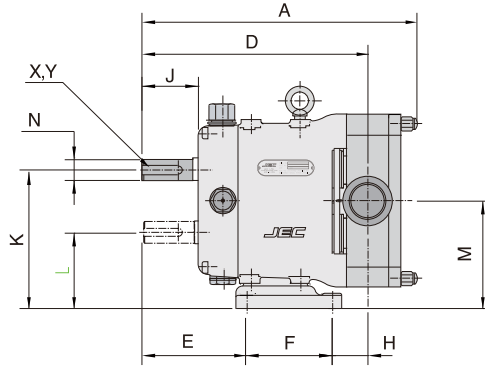


Our pride is created by high quality!

JEC Sanitary Pumps



“The reliable choice for your process”



■ OUTLINE DIMENSION

Model NO.	ports	Dimension															
		A	B	C	D	E	F	G	H	J	K	L	M	N	X	Y	Z
JRZP015-0063-15	1.5"	281	152	222	228	105	84	134	39	55	141	77	109	22	34	8	9
JRZP030-026-10	2"	372	188	264.5	305	129	132	180	44	60	185	101	143	32	52	10	12
JRZP060-074-15	2.5"	471	242	347.5	380	158	160	242	67	68	243.5	128.5	186	45	57	14	13
JRZP130-118-08	3"	497	242	347.5	393	158	160	242	80	68	243.5	128.5	186	45	57	14	13
JRZP220-204-12	4"	631	324	458	504	198	210	320	97	80	324	170	247	55	67	14	15
JRZP320-307-08	6"	666	324	458	522	198	210	320	114	80	324	170	247	55	67	14	15



■ PORT SIZE & WEIGHT

Model NO.	ports	Dimension B1 (mm)						Weight KG	Volume CBM
		CLAMP	IDF	DIN	BS	SMS	FLANGE		
JRZP015-0063-15	1.5"	20	25	30	26	20	30	21	0.01
JRZP030-026-10	2"	22	27	30	26	22	30	41	0.03
JRZP060-074-15	2.5"	26	26	37	26	26	35	85	0.05
JRZP130-118-08	3"	28	28	42	26	28	40	97	0.06
JRZP220-204-12	4"	28	28	45	26	35	54	181	0.15
JRZP320-307-08	6"	Please consult to JEC.						213	0.15

